



archiproducts
DESIGN AWARDS
—
WINNER 2018

GPP

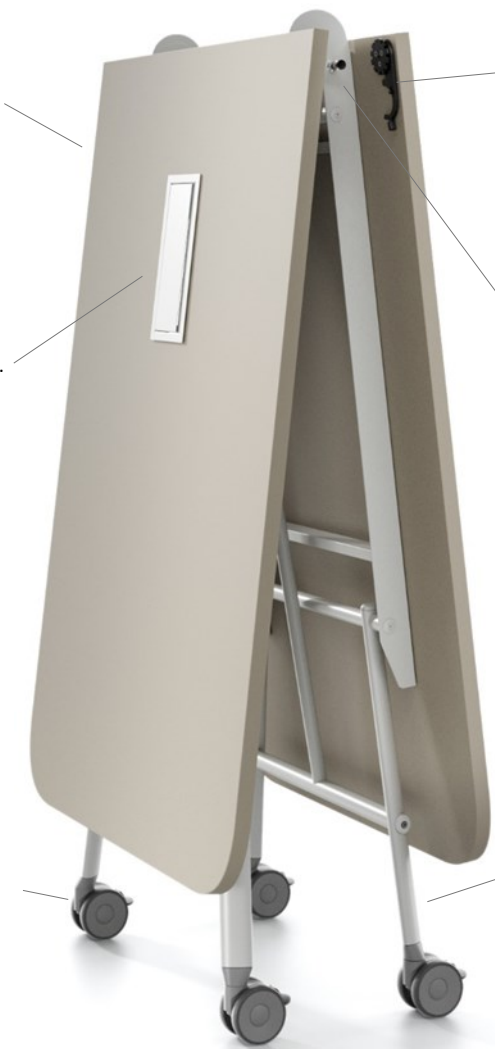
IBEBI

Available top finishes:

- MFC
- MFC FSC® (Available upon request)
- MFC 3D
- MDF PerfectSense
- Writable Laminate

Steel box for 4 or 6 module with electrical and/or multimedia system. Available with cable management. (optional). See pag. 6

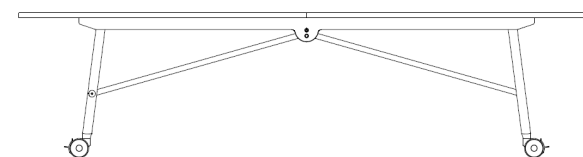
Swivel castor with kick pedal brake
ø 100 mm, polyamide support and thermoplastic rubber.



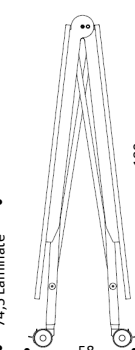
Black nylon linking device to join tabletops (optional).

Safety pin.

Elliptical steel pipe leg 60x30mm.



- 74,3 Melamine / 3D / MDF
- 74,5 Laminate



180

58



Structure Finishes



Matt epoxy powder painting
Available 3 finishing:
Black RAL 9005
Grey RAL 9006
White RAL 9003



Matt epoxy powder painting
Available 3 new finishing:
Dark green PD6813 (similar RAL 6028)
Ivory RAL 1015
Coral 34699 (similar RAL 3016)

Top Finishes

MFC
thk.18 mm
edge in ABS thk.2 mm



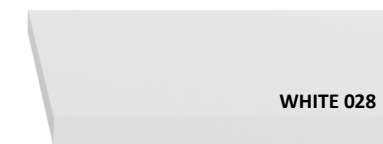
MFC 3D
thk.18 mm
edge in ABS thk.1 mm



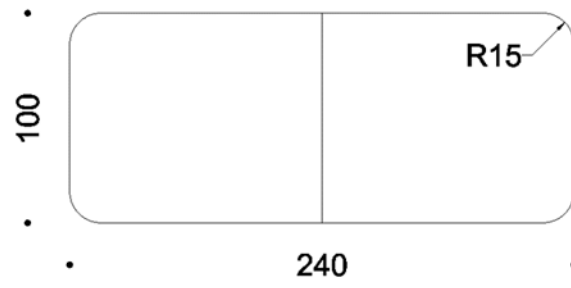
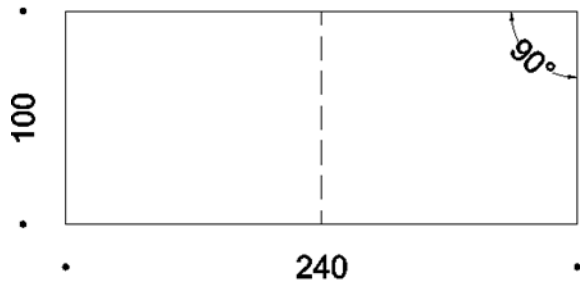
MDF PerfectSense
thk.18 mm
edge in ABS thk.1 mm



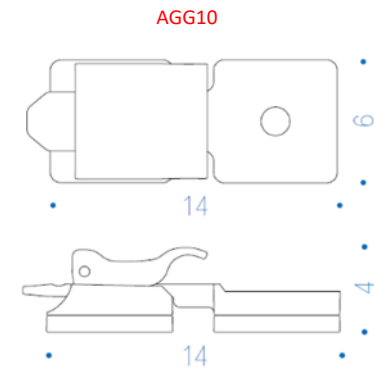
***Writable Laminate**
thk.20 mm
edge in ABS thk.2 mm



*Available only for tabletops cm 300x120 straight corners only—RET / Electrical boxes not available with this finishing.



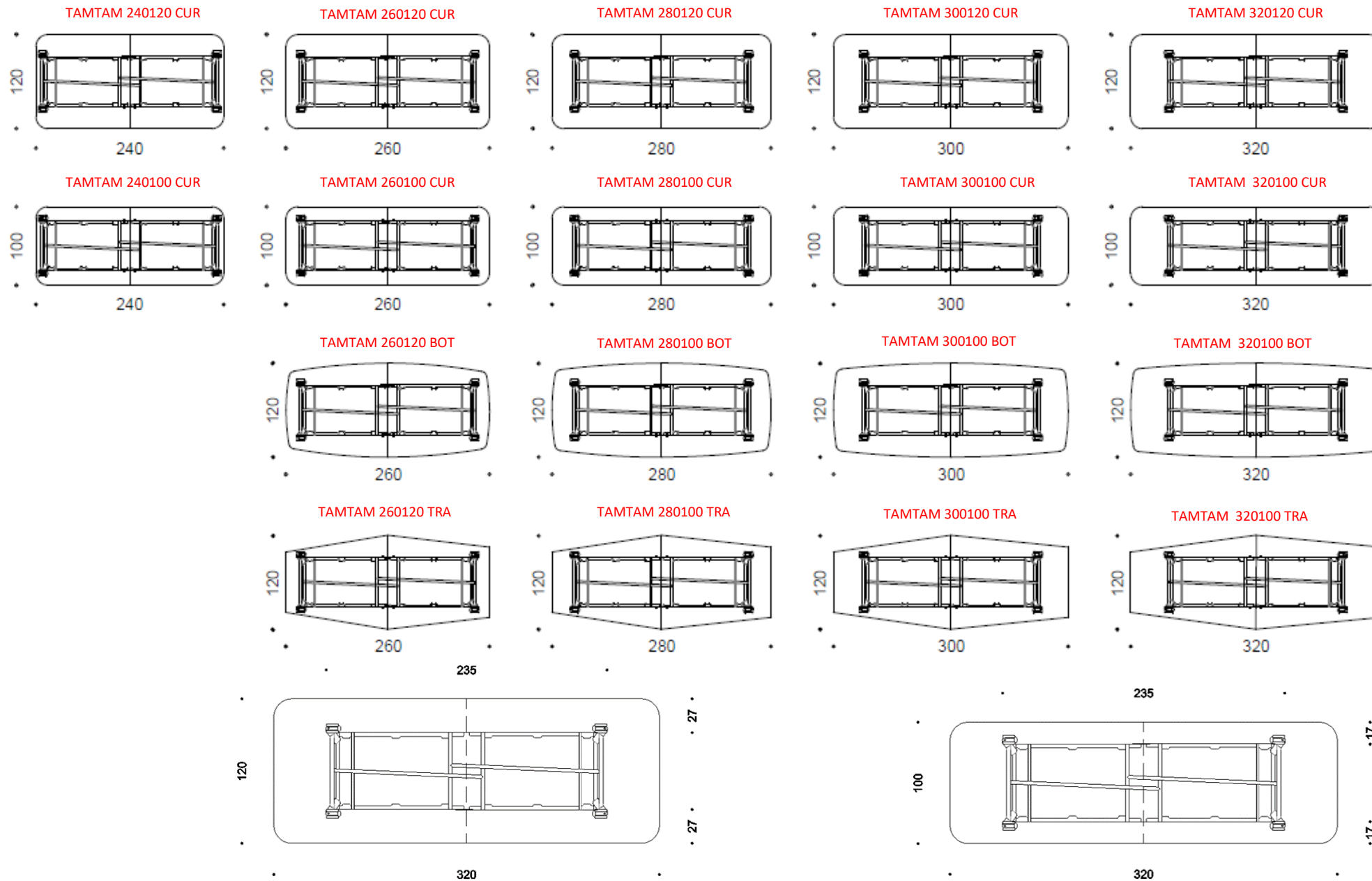
When ordering specify angles type: straight 90° or curved R15.



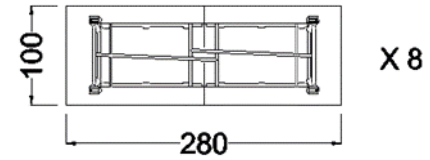
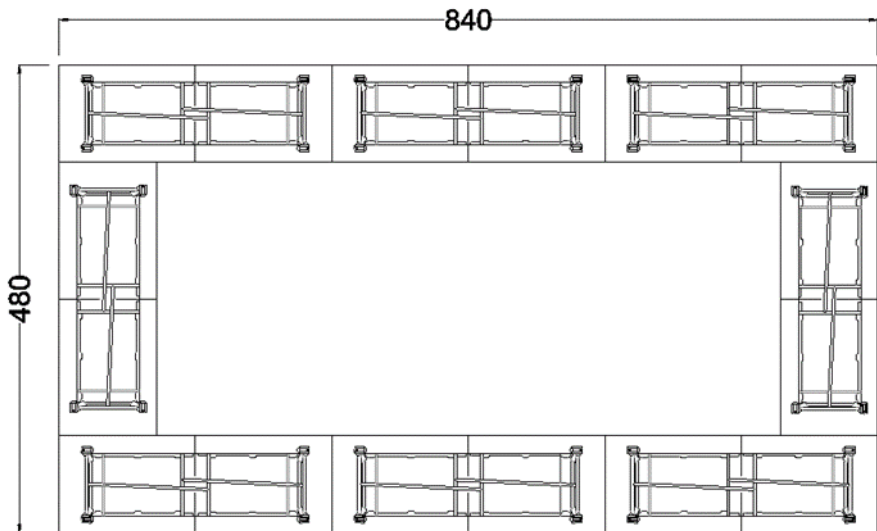
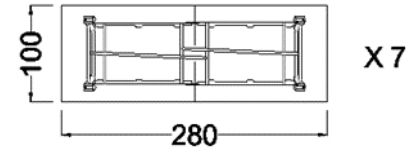
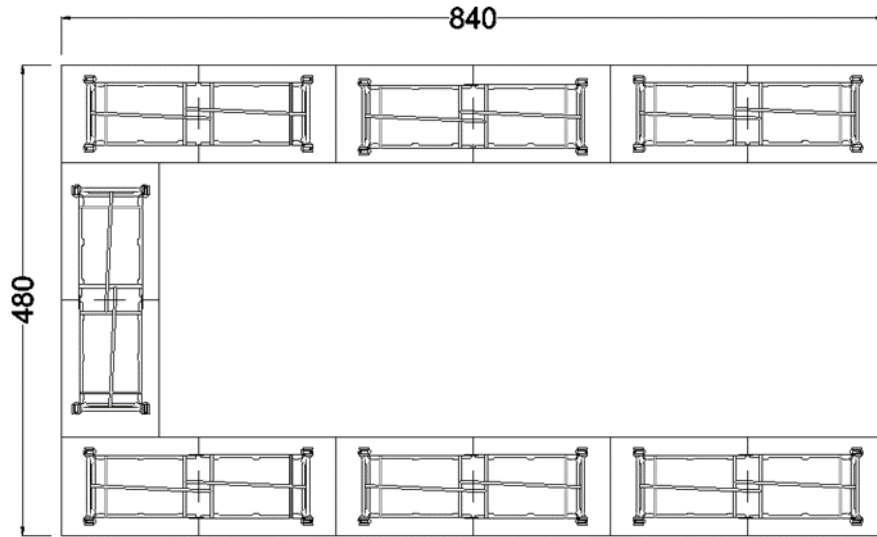
Grey nylon linking device to join tabletops with straight corners 90°.

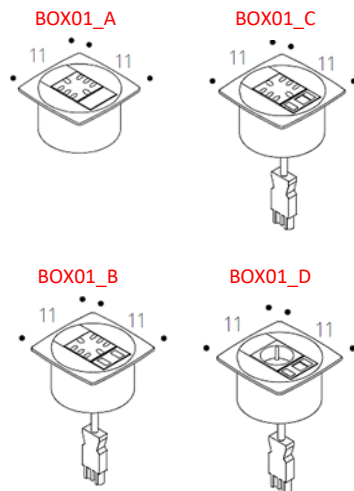
Shapes and tops dimensions

Table tops available also with 90° straight corners.

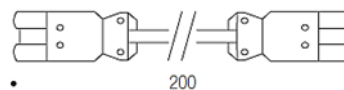


Compositions

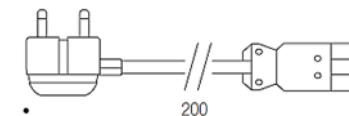




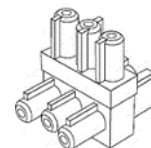
CAV_002
Connection cable between electrical modules 2 mt.
(H05VV-F 3G 1.5 mm² / GST18 - GST18).



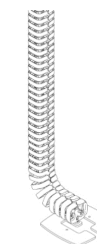
CAV_004
Electric cable 2 mt.
(H05VV-F 3G 1.5 mm² / GST18 - Male).



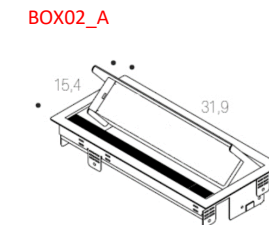
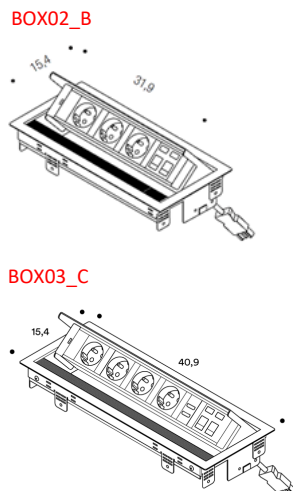
CAV_015
Power distributor with 3 poles.



KIT13
Flexible cable guide. Polycarbonate vertebra frame with steel base. Color Anthracite RAL 7016.



Single module in ABS with electrical and/or multimedia system or cable management.
Available colours Dark grey RAL 7024 and White RAL 9016.



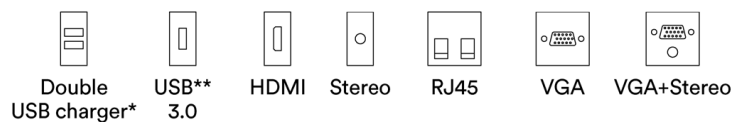
Steel box for 4 or 6 module with electrical and/or multimedia system.
Available colours Black RAL 9017, Grey RAL 9006 and White RAL 9016.

Painted steel cable management resealable module.
Available colours Black RAL 9017, Grey RAL 9006 and White RAL 9016.

National and International Sockets

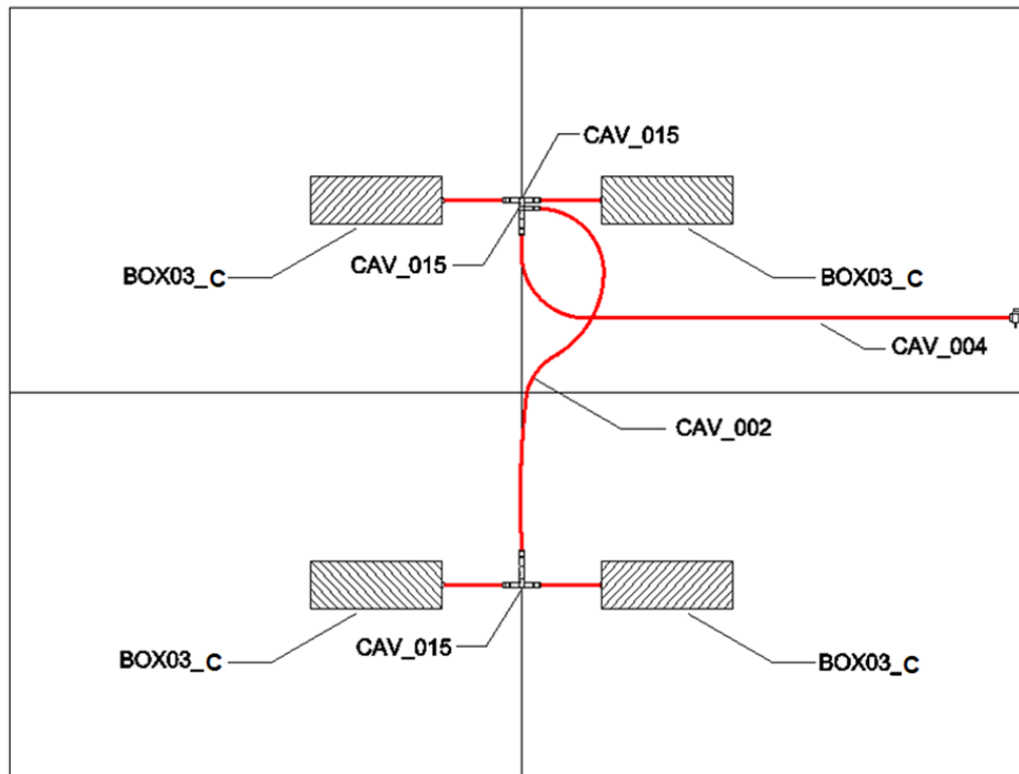
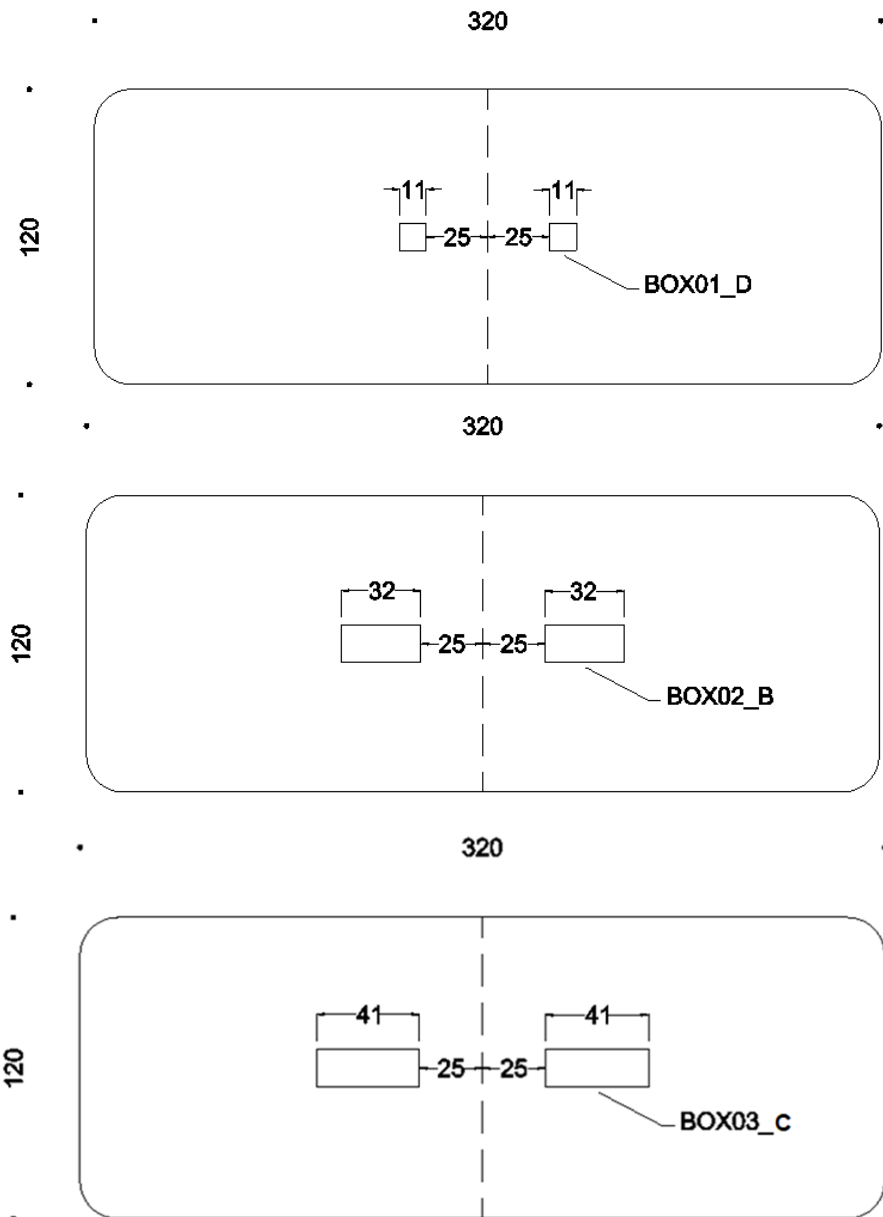


Multimedia Accessories

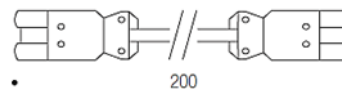


* USB charger only charger
** USB 3.0 only data

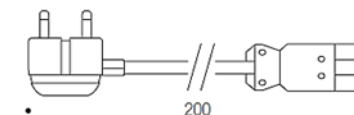
Position electrical and/or multimedia modules



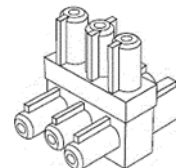
CAV_002 (1PZ.)



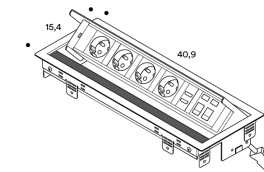
CAV_004 (1PZ.)



CAV_015 (3PZ.)

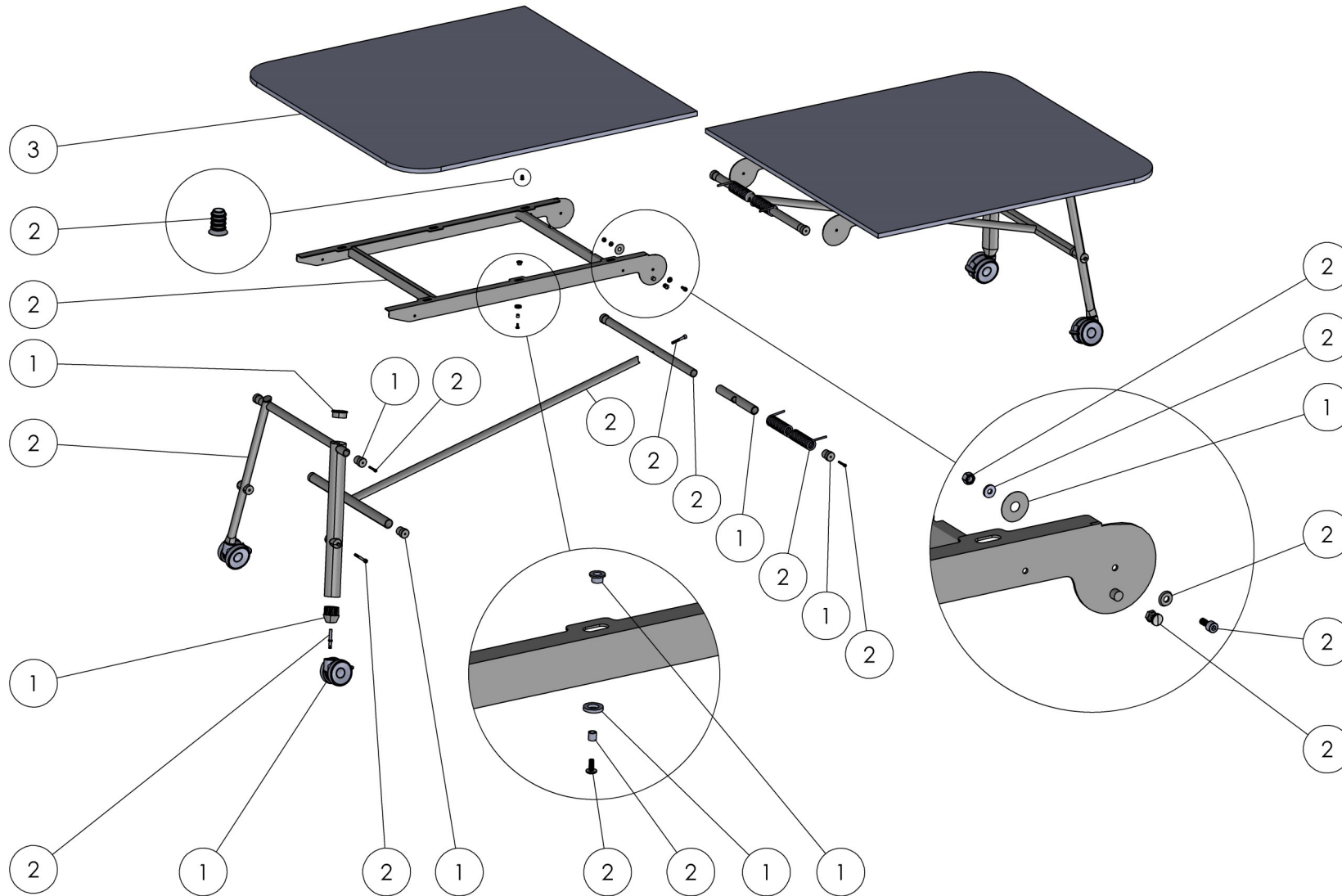


BOX03_C (4PZ.)



DISASSEMBLABILITY OF THE PRODUCT

1	PLASTIC
2	METAL
3	WOOD



METAL PARTS

Certification of compliance in accordance with Directive 2011/617/UE on the restriction of the use of certain hazardous substances in electrical and electronic equipment (ROHS II), delegated Directive 2015/863/UE amending Annex II to Directive 2011/65/UE concerning the list of restricted substances (ROHS III) and Regulation No 1097/2006 concerning the Registration, Evaluation, Authorisation and Restriction of Chemicals (REACH).

PAINTED PARTS

Certification of compliance in accordance with EN ISO 11890-2:2013, Paints and varnishes - Determination of volatile organic compound (VOC) content — Part 2

PACKAGING

From suppliers certified who use responsibly sourced materials.

RECYCLING OF THE PRODUCT

Once decommissioned, avoid release into the environments. Recyclable product separating its components.

CLEANING

For the metal parts, we recommend to use only a damp cloth with alcohol and to dry everything very well after cleaning.

For painted surfaces, please use only a damp cloth with water and neutral liquid detergent. Do not use solvents, trichloroethylene, acetone or ammonia.

WARRANTY

Our products are guaranteed for 5 years (full text of warranty on request). An improper use of the product precludes its warranty.

IMPROPER HANDLING

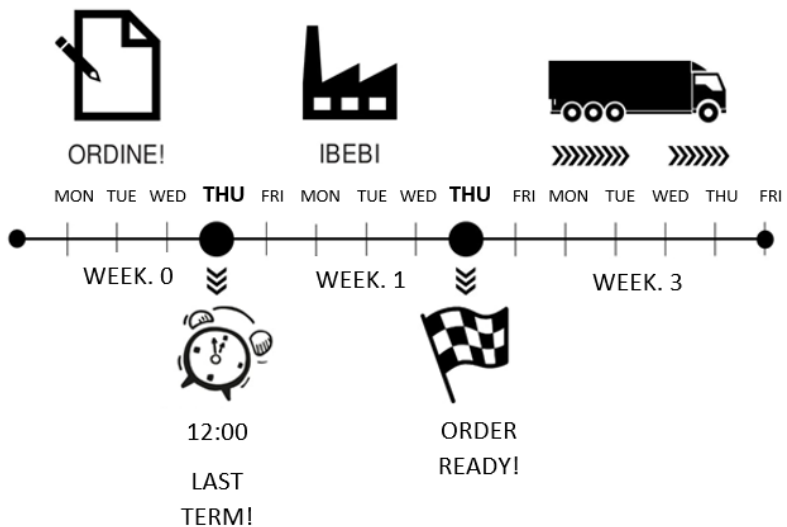
Not allowed: structural changes and/or tampering with the product.

FAST DELIVERY



Available only for tables without electricity and/or multimedia modules.

Available only for tables with MFC, MFC FSC® (available upon request), MFC 3D and MDF PerfectSense tabletops.



Compliance certificate in accordance with
BS EN 15372:2016, level 3° severe.



*Products available upon request



Compliance certificate in accordance with
ANSI/BIFMA X5.5-2014.